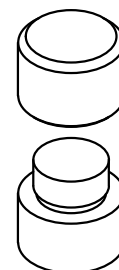
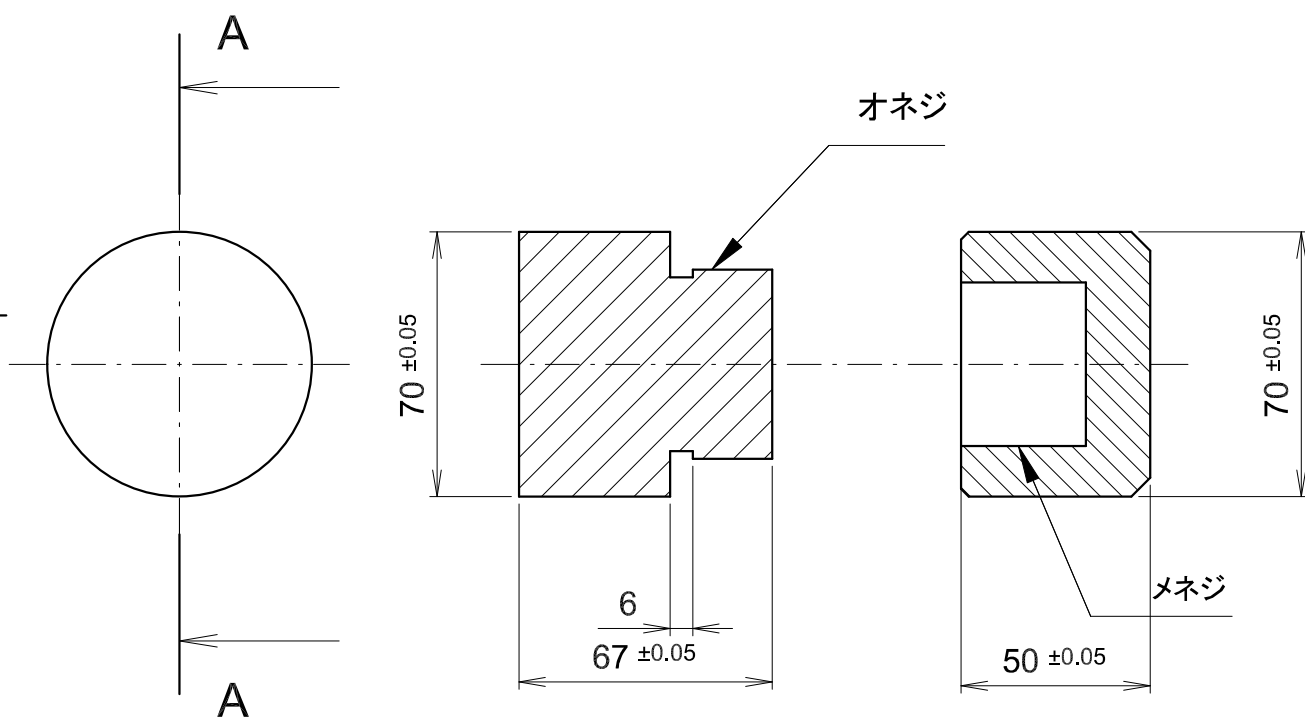


REVISIONS				
ZONE	REV.	DESCRIPTION	DATE	APPROV.



Iso Scale : 1:5



材質 POM(黒)

材質 アクリル(透明)

	NAME	DATE	SIG.		
DRAWN					
DESIGN				DWG. NAME: 二条ネジ_NO	
CHECKED					
APPROVED				SIZE A4	REV.
SURF. TEXTURE		OVERALL TOL.		SCALE 1/2	DWG. No.

