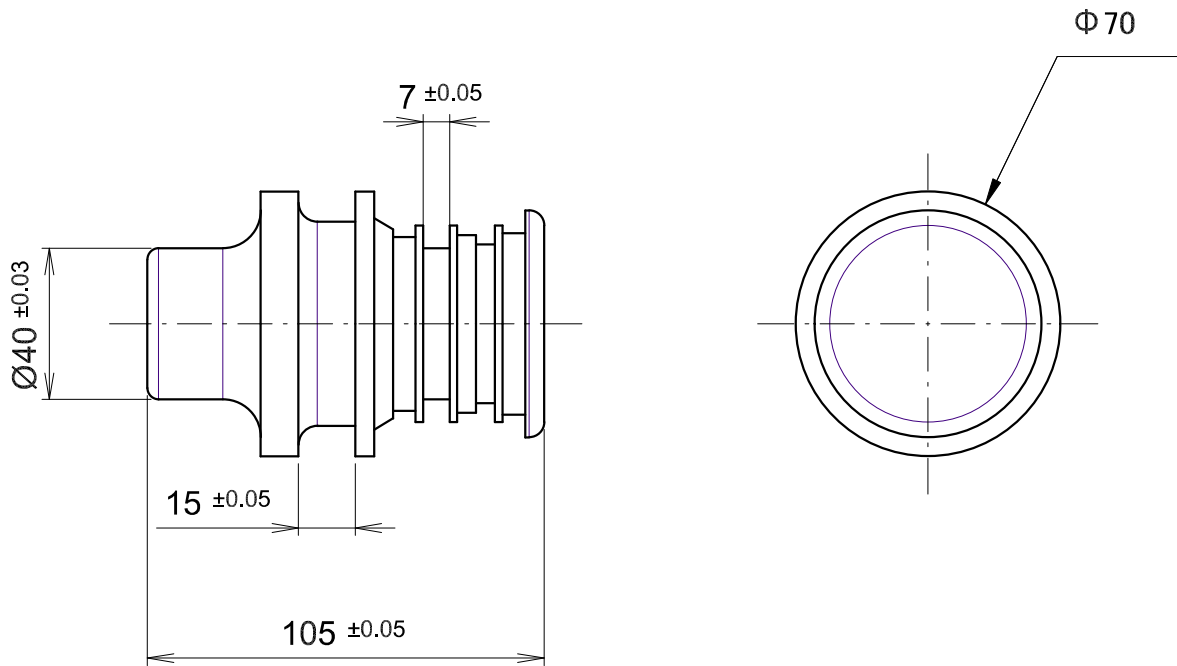


REVISIONS				
ZONE	REV.	DESCRIPTION	DATE	APPROV.

6.3
▽



Iso Scale : 1:4



材質 POM(黒)

	NAME	DATE	SIG.		
DRAWN					
DESIGN				DWG. NAME: シャフト_図面	
CHECKED				SIZE A4	REV.
APPROVED				DWG. No.	
SURF. TEXTURE	OVERALL TOL.			SCALE 1:2	