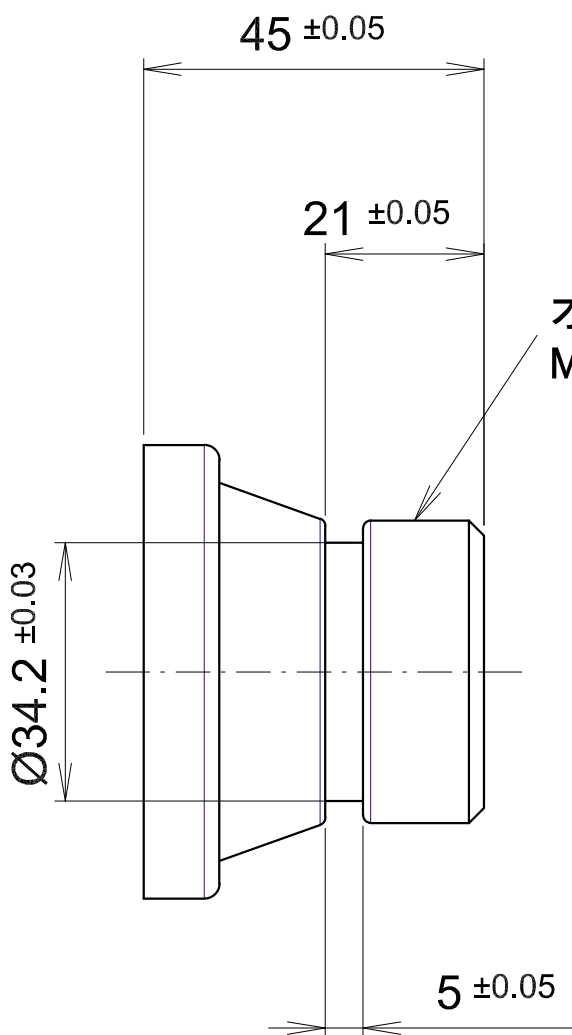
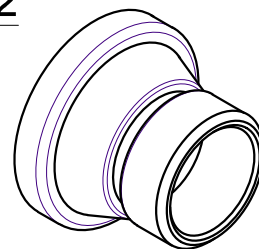


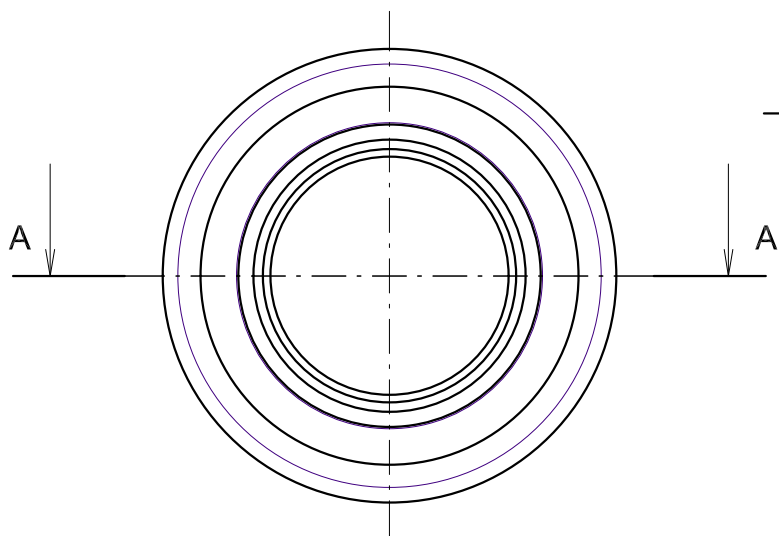
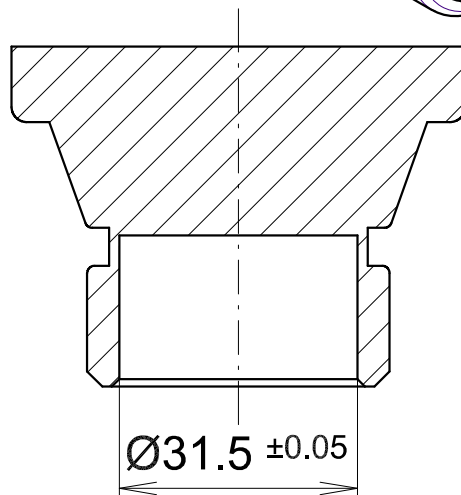
| REVISIONS | | | | |
|-----------|------|-------------|------|---------|
| ZONE | REV. | DESCRIPTION | DATE | APPROV. |
| | | | | |
| | | | | |

6.3
▽

Iso Scale : 1:2



オネジ
M40P2



材質 POM(黒)

| | | | | | |
|---------------|--------------|------|-----------|----------------------------|--------------------|
| | NAME | DATE | SIG. | | |
| DRAWN | | | | | |
| DESIGN | | | | DWG. NAME: テーパー付フランジ_図面 | |
| CHECKED | | | | | |
| APPROVED | | | | SIZE A4 | REV. DWG. No. |
| SURF. TEXTURE | OVERALL TOL. | | SCALE 1:1 | | |